

ENGINEERING STANDARDS

Rosedale Products, Inc.
3730 West Liberty Road
Ann Arbor, MI 48103

Technical Specification
D19741_closure.WPD
n:\spec\

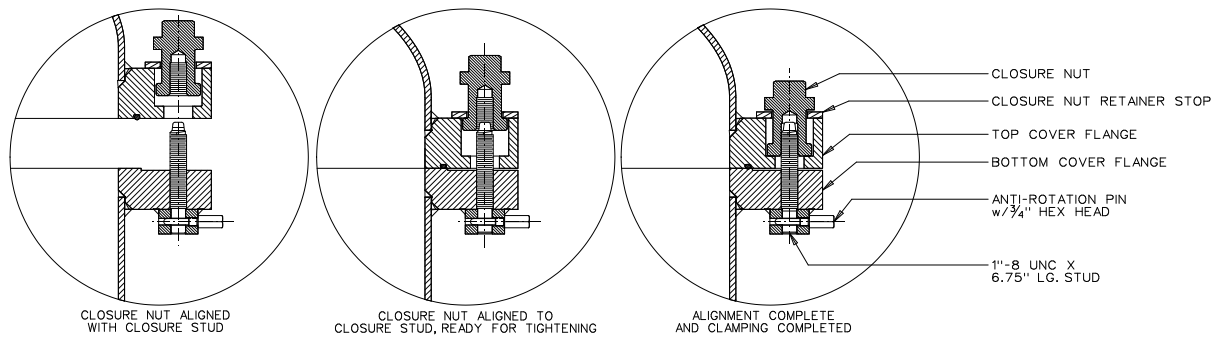


Issue Date: May 3, 2004
Revision: 0
Revision Date:

Specification No.
4.45
PAGE: 1 of 1

ROSEDALE CAPTIVE NUT CLOSURE for D19741.10/.11

Closure Supplement for D19741.10/.11



SPARE PARTS LIST

Description	Part Number	Time-Frame
Closure Nut	B19741.23.2	as needed
Closure Nut Retainer Stop	A19741.22.2	as needed
Retainer Stop Bolt, 1/2"-13 x 1" B8	9-9450 (2 per retainer)	as needed
Anti-Rotation Pin	A19741.28.2	as needed
1"-8 UNC Stud	A19741.24.2	as needed

For additional information concerning specific Rosedale Products, Inc. filtration equipment, please see the following Technical Specifications:

<u>Specification No.</u>	<u>Specification Title</u>
7.6.6	900 Series Element Filter Vessel