

**ENGINEERING STANDARDS**

Rosedale Products, Inc.  
3730 West Liberty Road  
Ann Arbor, MI 48103

IOM  
7\_6\_6 Model 900  
series.wpd  
n:iom\



Issue Date: 05Sep02  
Revision: A  
Revision Date: 30May2003

Specification No.  
**7.6.6**  
PAGE: 1 of 6

**INSTALLATION, OPERATION, & MAINTENANCE MANUAL**

# INSTALLATION, OPERATION AND MAINTENANCE MANUAL

ROSEDALE PRODUCTS, INC.



900 SERIES ELEMENT FILTER VESSEL

150 PSIG RATED CARTRIDGE FILTER UNIT

## Table of Contents

I.	Installation .....	2
II.	Operation .....	3
III.	Spare Parts List .....	4
IV.	Spare Parts Diagram .....	5

## ENGINEERING STANDARDS

Rosedale Products, Inc.  
3730 West Liberty Road  
Ann Arbor, MI 48103

IOM  
7\_6\_6 Model 900  
series.wpd  
n:iom\



Issue Date: 05Sep02  
Revision: A  
Revision Date: 30May2003

Specification No.  
**7.6.6**  
PAGE: 2 of 6

### INSTALLATION, OPERATION, & MAINTENANCE MANUAL

#### I. Installation

Depending on your needs, many configurations and styles are available for your 900 Series Element Filter. Please note that this instruction manual gives general information for the use of the filter vessel. Specific instructions may vary due to nozzle locations.

Please remove all shipping and crating materials carefully. Be sure to remove the plugs from the inlet and outlet openings. Dispose of all crating materials safely.

Position the 900 Series Element Filter unit into its proper location, secure the (4) support legs to the floor or platform. Provided on each support pad is a mounting hole to allow positive attachment to the base.

There is a 1/2" NPT port vent on the cover of your 900 Series Element Filter unit. This port can remain plugged or used for a pressure gauge or special fitting as your application requires.

Located just above the cartridge plate or in the sump area is a 1" NPT dirty side drain. Located just below the cartridge plate or in the outlet piping area is another 1" NPT port, for clean side drainage.

Some installations require electrical grounding of all equipment, be sure to provide adequate grounding where necessary.

After completing installation be sure to double check connections for integrity. Your 900 Series Element Filter unit has been factory pressure tested leak free, therefore, any seepage problems usually occur from improper installation connections.

You are now ready to install the filter cartridge element. Remove cover by loosening closure assemblies sufficiently to allow them to swing free. Turn handwheel on the top of the housing to lift cover clear of bottom seal ring. Swing cover away from housing to gain access to filter cartridge(s).

Insert centering V-post, threaded on one end, into cartridge cup located at the bottom of the unit and thread into place. This may remain in place during cartridge replacement and is installed prior to shipment.

The Brake Winch Assembly comes standard on the Model 18 900 Series Filter. It is an option on the other models. Operation and design of the assembly varies on other models and can be provided per request.

Swing the brake winch assembly into place over the element and hook the lift on the element. Lower the element over V-post cup and press firmly into place. When the cover is closed, the cross bars located in the cover will compress the element and complete the seal at the bottom of the element. Swing the brake winch assembly out of the way of the cover assembly.

Before replacing cover assembly, inspect cover seal gasket (replacing as necessary). Close cover and alternately tighten the closure assemblies evenly to ensure a leak proof seal between cover and housing body.

The recommended torque value for 900 Series Element Filter unit closure assemblies is 160-240<sup>ft-Lbs</sup> for 7/8"-9 size closures, and 225-275<sup>ft-Lbs</sup> for 1"-8 size closures..

Your Rosedale 900 Series Element Filter unit is now ready for operation!

## ENGINEERING STANDARDS

Rosedale Products, Inc.  
3730 West Liberty Road  
Ann Arbor, MI 48103

IOM  
7\_6\_6 Model 900  
series.wpd  
n:iom\



Issue Date: 05Sep02  
Revision: A  
Revision Date: 30May2003

Specification No.  
**7.6.6**  
PAGE: 3 of 6

### INSTALLATION, OPERATION, & MAINTENANCE MANUAL

## II. Operation

### Filter System Start-Up Procedure:

Prior to turning on the flow to the inlet service, please make the following checks:

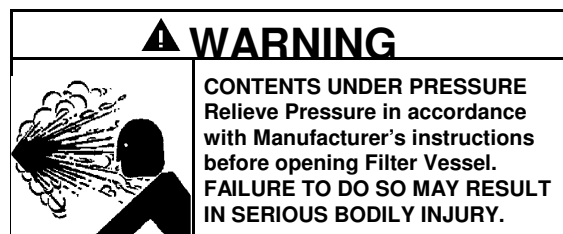
1. Check inside filter unit to be sure cartridge(s) element are in housing and do not require cleaning or replacement. If necessary install clean cartridge element(s).
2. Check that filter unit cover is securely fastened to housing. You are now ready to open the flow to the inlet service line. Slowly open the inlet service line approximately 25% of normal operational flow (open slowly as not to displace cartridge element(s) inside the housing). After filter unit is pressurized and vented, slowly open outlet service line unit valve until completely open. Complete opening of inlet service line until desired flow rate is reached.

Once the desired service flow has been established, the filter will operate efficiently until dirty.  $\Delta P$  for the 900 Series Element is recommended no more than *30 PSI Differential Pressure*. Operating the filter unit with a higher differential may cause elements to collapse and/or cause damage to filter system and downstream equipment.

To prevent excessive drop through the filter unit, regular inspection of the filter media is required. Monitoring of differential pressure through the housing can be utilized as a means of determining whether or not the filter media needs cleaning or replacement.

When it becomes necessary to clean or replace the cartridge element(s), follow the procedure outlined below:

1. First close the flow from the inlet service line.
2. Close the flow to the outlet service line. (In some applications closing flow to outlet is not required.)
3. Relieve the pressure from the filter unit.



4. Drain housing sufficiently, use dirty drain port, to prevent bypass of unfiltered fluid. (Level to be below dirty drain and top of cartridge plate)
5. Remove cover by loosening closure assemblies sufficiently to allow them to swing free. Turn handwheel on the top of the housing to lift cover clear of bottom seal ring. Swing cover away from housing to gain access to filter cartridge(s).

# ENGINEERING STANDARDS

Rosedale Products, Inc.  
3730 West Liberty Road  
Ann Arbor, MI 48103

IOM  
7\_6\_6 Model 900  
series.wpd  
n:iom\



Issue Date: 05Sep02  
Revision: A  
Revision Date: 30May2003

Specification No.  
**7.6.6**  
PAGE: 4 of 6

## INSTALLATION, OPERATION, & MAINTENANCE MANUAL

6. Remove cartridge element(s) and throw away.
7. Remove debris and sludge from inside the inlet portion of housing to avoid interference with cover seal or flow of fluid being filtered.
8. Install clean cartridge element(s). Be sure cartridge is seated on the bottom retainer cup.
9. Inspect cover gasket for cuts or other signs of failure and make sure it is properly seated.
10. Move cover back into position, close cover and alternately tighten the closure assemblies evenly to ensure a leak proof seal between cover and housing body. The recommended torque value for 900 Series Element Filter unit closure assemblies is 160-240<sup>ft-lbs</sup> for 7/8"-9 size closures, and 225-275<sup>ft-lbs</sup> for 1"-8 size closures.

Your Rosedale 900 Series Element Filter unit is now ready for operation. Refer to filter system start-up procedure.

### III. Spare Parts List

Your Rosedale 900 Series Element Filter unit will give you many years of reliable service provided periodic inspections are made of various components and replacement of worn parts are made promptly. The following is meant to be a recommended spare parts list, these parts are illustrated on the following page.

SPARE PARTS LIST			
Balloon	Description	Part Number	Time-Frame
1	Cover Seal	#150CG-* or ★150CG-CART	as needed
2	Handwheel	◆HDW	as needed
3	Clevis Pin Assembly	◆CPNI	as needed
4	Eye Nut	◆ENNI	as needed
5	Rod End	◆RENI	as needed
6	900 Series Element	(See Order)	as needed
7	900 Series Bayonette	B18766.30	as needed
8	Brake Winch Ass'y	C17954.25.1	as needed

* Select Material Designation: # Select Model Designation: ★ Select Model Designation: ◆ Select Size Designation:	C=Carbon Steel S=304 Stainless Steel S316=316 Stainless Steel HC22=Hastelloy C-22 18 or 24 30-36-42-48 9 = 7/8"-9 (Models 18-30) 36 = 1"-8 (Models 36-48)	B=Buna N E=Ethylene Propylene V=Viton TEV=Teflon Encapsulated Viton TSW=Teflon Solid White
--	--	--

**Brake Winch Assembly is provided standard on the Model 18 only.**

# ENGINEERING STANDARDS

Rosedale Products, Inc.  
3730 West Liberty Road  
Ann Arbor, MI 48103

IOM  
7\_6\_6 Model 900  
series.wpd  
n:iom\

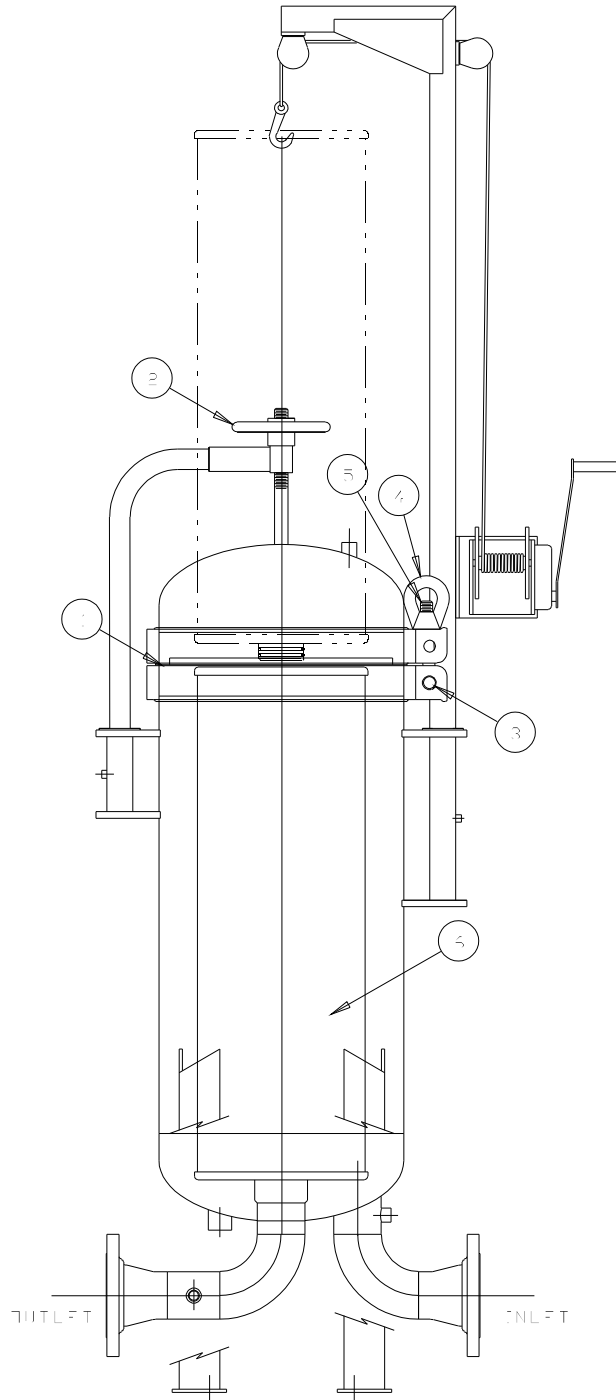


Issue Date: 05Sep02  
Revision: A  
Revision Date: 30May2003

Specification No.  
**7.6.6**  
PAGE: 5 of 6

## INSTALLATION, OPERATION, & MAINTENANCE MANUAL

### IV. Spare Parts Diagram



## ENGINEERING STANDARDS

Rosedale Products, Inc.  
3730 West Liberty Road  
Ann Arbor, MI 48103

IOM  
7\_6\_6 Model 900  
series.wpd  
n:iom\



Issue Date: 05Sep02  
Revision: A  
Revision Date: 30May2003

Specification No.  
**7.6.6**  
PAGE: 6 of 6

### INSTALLATION, OPERATION, & MAINTENANCE MANUAL

#### Important Notice

**Warranty:** In the event any Rosedale Products, Inc. filtration product is found to be defective in material, workmanship, or not in conformance with any express warranty for a specific purpose, Rosedale's only obligation and your exclusive remedy, shall be to repair, replace or refund the purchase price of such parts or products upon timely notification thereof and substantiation that the product has been stored, maintained and used in accordance with Rosedale's written instructions.

**EXCLUSIONS TO WARRANTY:** THIS WARRANTY IS EXCLUSIVE AND IS IN LIEU OF ANY IMPLIED WARRANTY OF MERCHANTABILITY, FITNESS FOR A PARTICULAR PURPOSE OR OTHER WARRANTY OF QUALITY, EXCEPT OF TITLE AND AGAINST PATENT INFRINGEMENT.

**LIMITATION OF LIABILITY:** Except as provided above, Rosedale shall not be liable or responsible for any loss or damage, whether direct, indirect, incidental, special or consequential, arising out of sale, use or misuse of Rosedale filtration products, or the user's inability to use such products.

THE REMEDIES SET FORTH HEREIN ARE EXCLUSIVE.

**Rosedale Products, Inc.**  
3730 West Liberty Road  
Ann Arbor, MI 48103 USA  
734-665-8201  
800-821-5373  
Fax. 734-665-2214  
filters@rosedaleproducts.com  
<http://www.rosedaleproducts.com>