

Multiplex Filters and Strainers From Rosedale Products

These high-capacity filters and strainers require no flow interruption for servicing

- For use with filter bags for filtering to as fine as one micron, or with perforated strainer baskets
- From 2 to 10 Model 8 housings are mounted in parallel to inlet and outlet manifolds
- Each unit has inlet and outlet valves, gage ports, and a drain port, to permit servicing one at a time
- These are completely packaged free-standing systems in carbon steel and stainless steel

See page 12 for more details on the Model 8 housings used.

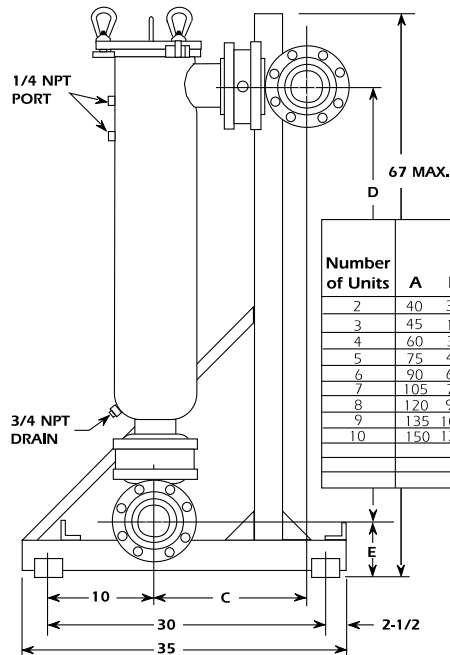
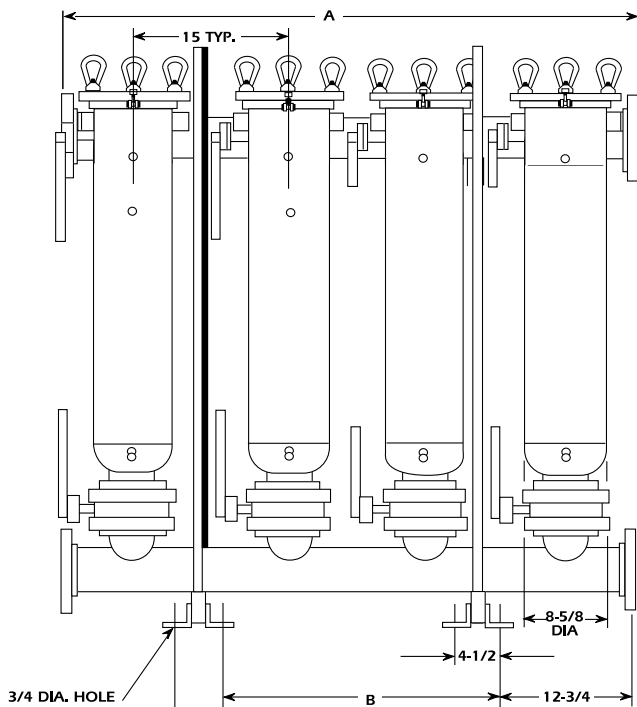


Standard Model 8 Triplex



Special Multi-Bag Multiplex

Dimensions (IN)



Number of Units	A	B	Inlet-Outlet Header Size	Valve Size	C	D	E
2	40	30	3	2	14.9	45.9	5.5
3	45	15	3	3	15.1	46.4	5.5
4	60	30	3	4	N/A	N/A	N/A
5	75	45	4	2	15.7	46.7	6.0
6	90	60	4	3	15.8	47.1	6.0
7	105	75	4	4	17.2	48.7	6.0
8	120	90	6	2	16.7	47.7	7.1
9	135	105	6	3	16.8	48.1	7.1
10	150	120	6	4	18.2	49.7	7.1
			8	2	17.9	48.9	8.1
			8	3	18.1	49.4	8.1
			8	4	19.4	50.9	8.1

R How To Order

Build an ordering code as shown in the example

Example: **M8-30-10-8F-4-150-C-B-S-M-200-D-C-2M-50**

	Housing	Options	
MODEL NO.			OPTIONAL INNER BASKET
Multiplex = M8-30			INNER BASKET, MEDIA SIZE Perforation diameters (for type 2P baskets) 1/4, 3/16, 9/64, 3/32, 1/16 Mesh sizes (for type 2M and 2BM baskets) 20, 30, 40, 50, 60, 70, 80, 100, 150, 200
NUMBER OF HOUSINGS 2, 3, 4, 5, 6, 7, 8, 9, 10			
PIPE SIZE (FLANGED)			INNER BASKET, TYPE No sym. = No inner basket 2P = Perforated strainer 2B = Filter bag* 2M = Mesh-lined strainer 2BM = Mesh-lined filter bag
3-in. = 3F 4-in. = 4F 6-in. = 6F 8-in. = 8F			
VALVE TYPE & SIZE (INCH)			ASME CODE STAMP C = Code
Butterfly type = 2, 3, 4			DISPLACER D = Displacer
PRESSURE RATING			OUTER BASKET, MEDIA SIZE Perforation diameters (for type P baskets) 1/4, 3/16, 9/64, 3/32, 1/16 Mesh sizes (for type M and BM baskets) 20, 30, 40, 50, 60, 70, 80, 100, 150, 200
150 psi = 150			OUTER BASKET, TYPE PB = Perforated strainer B = Filter bag* M = Mesh-lined strainer BM = Mesh-lined filter bag
HOUSING MATERIAL			
Carbon steel = C 304 stainless steel = S 316 stainless steel = S316			
COVER SEAL			
Buna N = B Ethylene Propylene = E Viton® = V Teflon® Encapsulated Viton® = TEV Teflon® (solid white) = TSW			
BASKET SEAL			
Seal required = S			

1. Flanges provided with the housing match the pressure rating of the vessel. Housings rated 150 psi have 150 class flanges. ANSI B16.5 Pressure-Temperature rating tables determine flange class for ASME housings.
2. Higher pressure ratings available. Consult factory.
3. Filter bags are ordered separately. See page 73-80.