

R The HPP All Polypropylene Bag Filter Housing

The Right Choice!

The HPP Bag Filter Housing provides an excellent, low-cost alternative to other types of filter housings.

The HPP is Lightweight and Chemical-Resistant

Manufactured from reinforced polypropylene with a UV inhibitor for all-weather durability. Resistant to many chemicals for a wide range of industrial applications, the HPP is an excellent fit for your needs. It is economical and reliable.

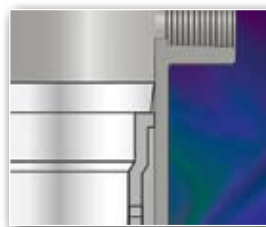
Easy Cleaning

The HPP is engineered with a “clean wall” design, a smooth interior surface that allows faster, easier manual cleaning or in-place flushing.

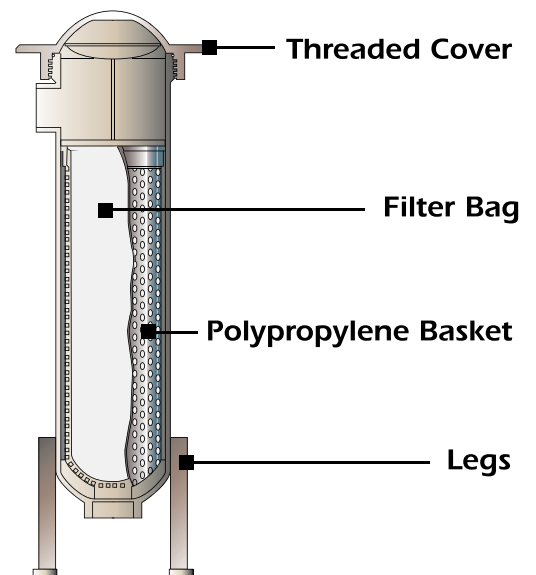
Positive Seal Filter Bag

The HPP X01 Filter Bag has 2 square feet of surface area. The bag seals directly against the wall of the filter housing and eliminates the chance of fluid by-pass.

A heavy-duty Polypropylene Restrainer Basket supports the bag.



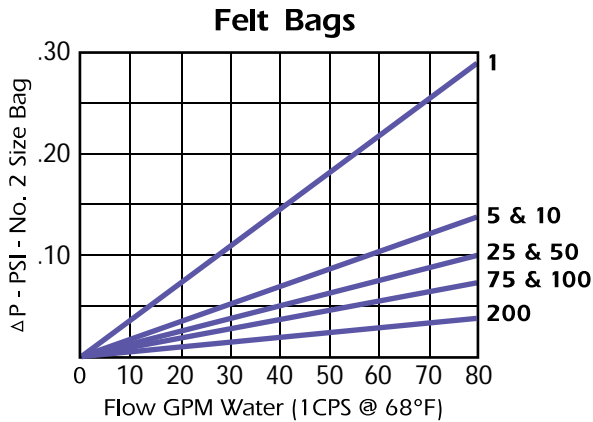
Bag Seal



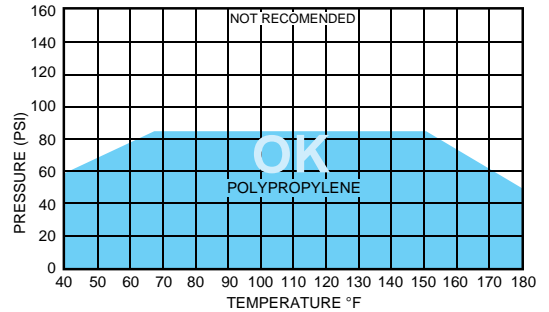
Technical Specifications

Element Size:	X01 bags
Piping Connections:	2" NPT
Housing Material :	Glass-reinforced polypropylene with UV stabilizer or PVDF
Basket Material:	Natural polypropylene or PVDF
Recommended Change Out:	15 PSID
Pressure Rating:	90 psi @ 160°F
Shipping Weight:	20lb (approx.)





Temperature vs. Pressure



NOTE: Not for use in conditions under 40°

How To Order **HPP Housing**

Order Model Number: HPP - B23 - PP

How To Order **HPP Bags**

Build an ordering code as shown in the example

Example: POS - 5 - X01 - 100POSS - WE

MATERIAL & FINISH

Polypropylene Felt = **PE**

Polypropylene Felt = **PO**

Glazed Finish = **S**

Plain Finish = **No Symbol**

MICRON RATING

1/2, 1, 5, 10, 25, 50, 100, 200

BAG SIZE = **X01**

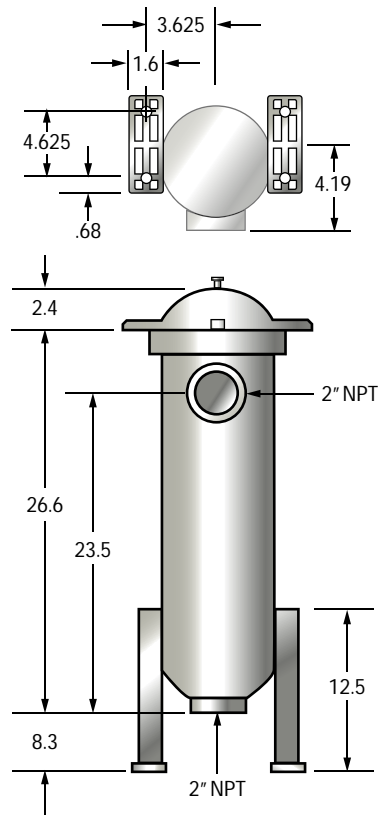
SEALING FLANGE = **100POSS**

BAG CONSTRUCTION

Welded Construction = **WE**

Sewn = **No Symbol**

Dimensions (IN)



Mounting brackets and legs are standard.
Dimensions are reference only and should not be used for hard plumbing.
Consult factory for certified drawings.