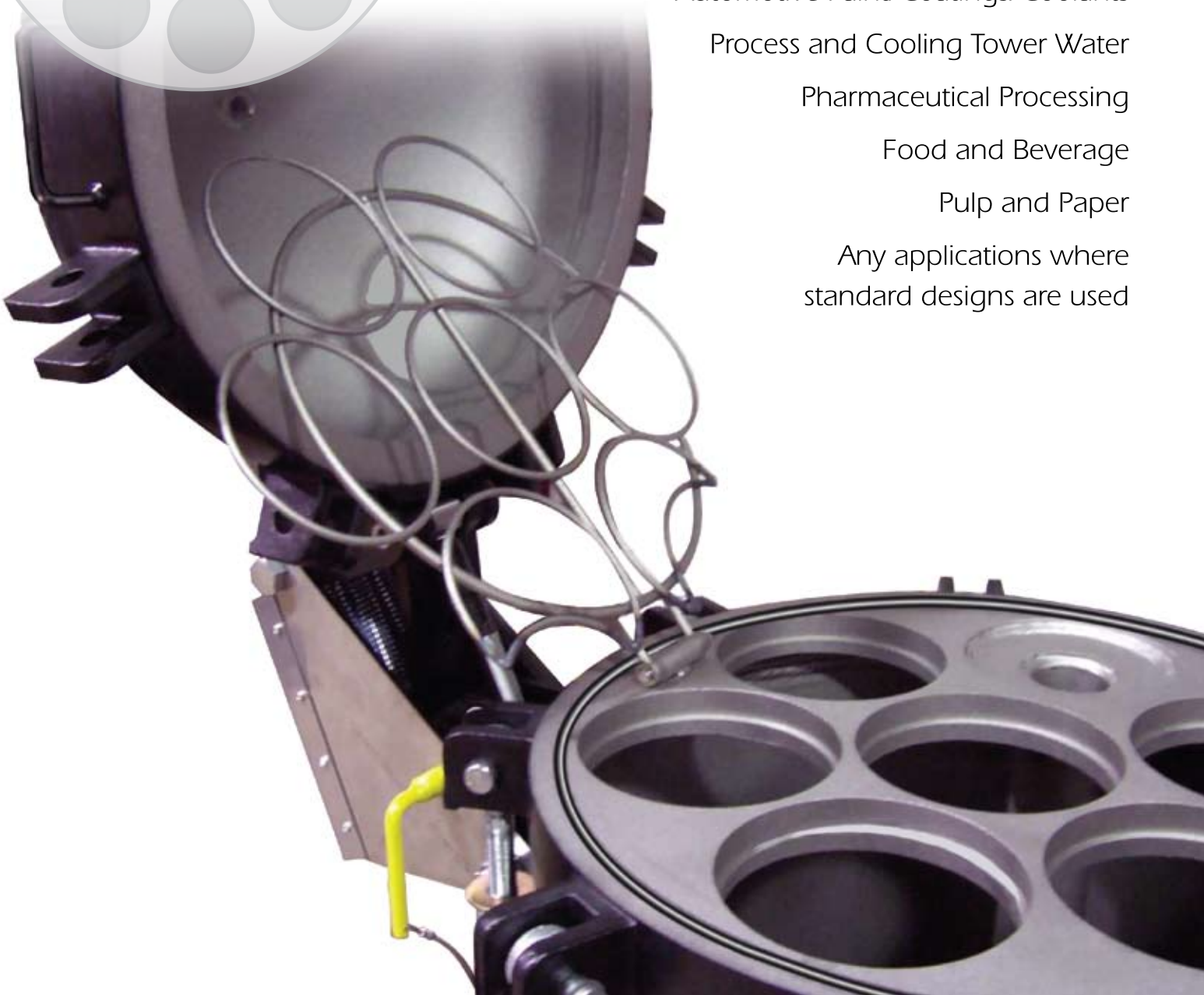


ROSEDALE

INTRODUCES THE NEWLY DESIGNED SPRING-ASSISTED/HINGED COVER MULTI-BAG HOUSING

Chemical Processing and Petrochemical
Automotive Paint/Coatings/Coolants
Process and Cooling Tower Water
Pharmaceutical Processing
Food and Beverage
Pulp and Paper
Any applications where
standard designs are used



MULTI-BAG HOUSING WITH

Multi-Basket Strainers and Multi-Bag Filters

These multi-basket strainers and bag filters offer a wide range of flow capacities and contaminant-holding capabilities. They contain from 2 to 23 baskets/bags. Larger units that hold more baskets/bags are available, consult Rosedale.

- Low Profile Design Housings are compact and space saving, allowing for ease of bag change-out. Standard operating height is reduced, resulting in a safe design by eliminating platforms and ladders.
- Spring Assisted Hinged Cover opens and closes without effort. Simply loosen the swing bolts and lift the cover up to open. An automatic cover stop is provided.
- The units meet ASME code requirements for 150 PSI ratings. Rosedale is an ISO 9000 facility.

Features

- Permanently piped housings are opened without disturbing the piping
- Machined cover seal groove provides positive sealing
- Carbon steel, 304 or 316 stainless steel construction housings (wetted parts)
- Large-area, 30-inch deep, heavy-duty, 9/64-inch perforated baskets
- Easy to clean
- Low pressure drop
- Three cover seal materials: Buna N, Ethylene Propylene, and Viton®
- Pressure rating 150 psi
- Flanged connections for 2 through 8-inch pipe
- Vent, drain and gage connections
- Bag hold down assembly



Options

- ASME code stamp
- Steam jackets (body jacket only)
- Special connection locations
- Inner baskets for dual-stage straining or filtering
- Cleanable wire mesh lined or perforated strainer baskets
- Special alloy materials
- Sanitary fittings
- Bag or cartridge design
- Differential pressure indicators
- Safety pressure release

NEW SPRING-ASSIST COVER



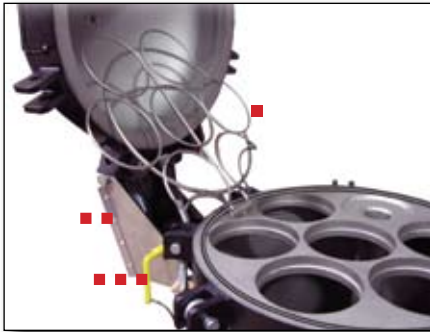
- OPTIONAL PRESSURE RELEASE SAFETY ASSEMBLY - Must be opened prior to swing bolts.
- ■ ■ PAD-LOCK VALVE - Prevents accidental release of pressure.



- PRESSURE RELEASE SAFETY ASSEMBLY SHOWN IN OPEN POSITION - Opens vent valve and allows access to swing bolts.



- COVER CLOSURE DAMPER -
- ■ ■ COVER SAFETY PIN - Located in open position.



- HOLD DOWN - In open position.
- ■ ■ SPRING COVER ASSEMBLY -
- ■ ■ COVER SAFETY PIN -



- HOLD DOWN - Shown in closed position, maintains a constant, even pressure on baskets.
- ■ ■ COVER SEAL O-RING -



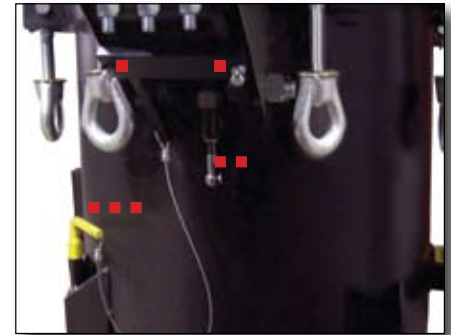
- SPRING COVER ASSEMBLY -
- ■ ■ COVER OPENING ASSIST SPRINGS -



- SWING BOLT TOOL - The only tool needed to open filter.

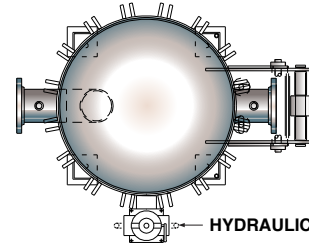
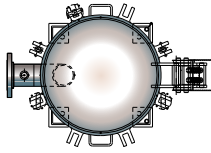
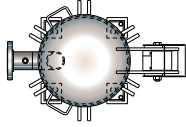


- SWING BOLT TOOL - Stores in its own holder.

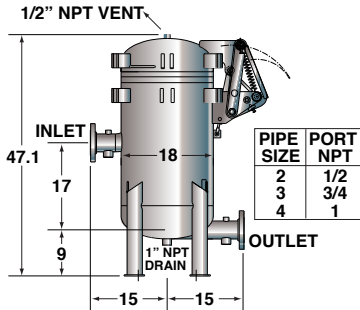


- COVER - Position adjustment Bolts.
- ■ ■ COVER CLOSURE DAMPER
- ■ ■ COVER SAFETY PIN - Fastened to filter.

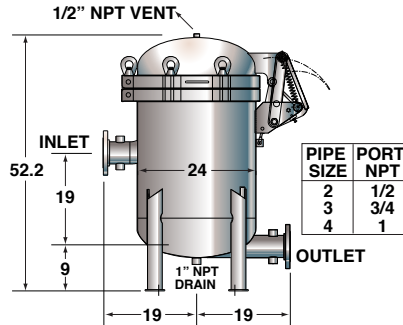
R Dimensions



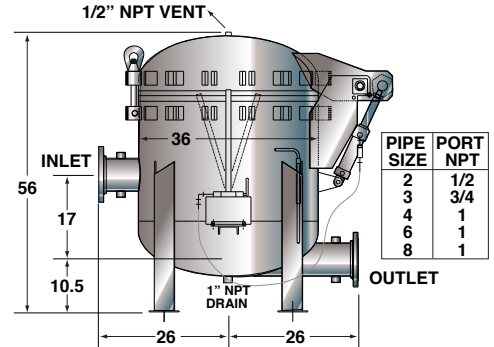
HYDRAULIC LIFT PUMP



Model 18



Model 24



Model 36

R How To Order

Build an ordering code as shown in the example

Example: HLP18-30-4F-2- 150-C- B- S- M-20-C

Housings		Options	
MODEL NO.		ASME CODE STAMP	
18 = HLP18 (3-Bag Unit)		C = Code	
24 = HLP24 (6-Bag Unit)		BASKET, MEDIA SIZE No symbol if type B basket was selected	
36 = HLP36 (12-Bag Unit)		Perforation diameters (for type P baskets)	1/4, 3/16, 9/64, 3/32, 1/16
BASKET DEPTH		Mesh sizes (for type M & BM baskets)	20, 30, 40, 50, 60, 70, 80, 100, 150, or 200
15-in. = 15		BASKET, TYPE	
30-in. (std) = 30		PB = Filter bag basket, 9/64 perforations	
PIPE SIZE (FLANGED¹)		P = Strainer basket, perforated metal	
2-in. (All Models) = 2F		BM = Filter bag basket, perforated, mesh lined	
3-in. (All Models) = 3F		M = Strainer basket, perforated, mesh lined	
4-in. (Model 24/36) = 4F		HWM = Filter bag basket, heavy wire mesh	
6-in. (Model 36) = 6F		BASKET SEAL	
8-in. (Model 36) = 8F		N = No seal	
OUTLET STYLE		S = Seal (only on strainer housings)	
Side inlet/outlet = 2		COVER SEAL	
Side inlet/outlet (same side) = 4		B = Buna N	
PRESSURE RATING²		E = Ethylene Propylene	
150 psi (flanged) = 150		V = Viton®	
HOUSING MATERIAL			
Carbon steel = C			
304 stainless steel = S			
316 stainless steel = S316			

1. Flanges provided with the housing match the pressure rating of the vessel.
 2. Housings rated 150 psi have 150 class flanges. Other styles and classes available. ANSI B16.5 Pressure-Temperature rating tables determine flange class for ASME code housings. Consult factory.

R Rosedale Filtration Products, Inc.

3730 W. Liberty Road, Ann Arbor, MI 48103
 Tel: (800) 821-5373 or (734) 665-8201
 Fax: (734) 665-2214
 E-mail: filters@rosedaleproducts.com
 http://www.rosedaleproducts.com

