

R Rosedale Fabricated Basket Strainers

Standard or Custom Design

Rosedale Fabricated Strainers are available in standard designs as shown, or can be custom designed and manufactured to fit your specific requirements. The standard strainer is designed and built in accordance with ASME Code Section VIII, Division 1. Available code designs include ANSI B 31.4, ANSI B 31.3, and ANSI B 31.8. Standard housing material is carbon steel, 304 stainless steel, or 316 stainless steel.

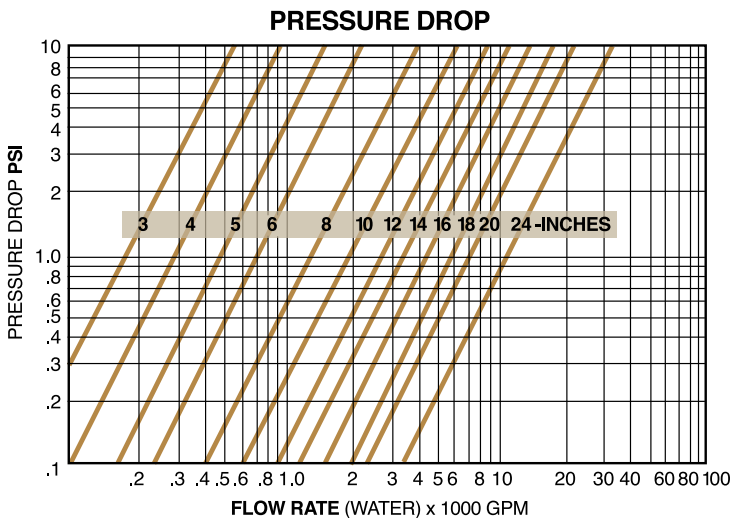
Rosedale Fabricated Strainers can be supplied in ANSI flange ratings. We have the design capabilities and manufacturing facilities to handle your straining requirements to 50 microns. Rosedale Fabricated Strainers are available in pipe sizes from 2" to 24".

For assistance designing a strainer to fit your application, please contact us.



ABOVE: Model RBS Pipeline Strainer and basket

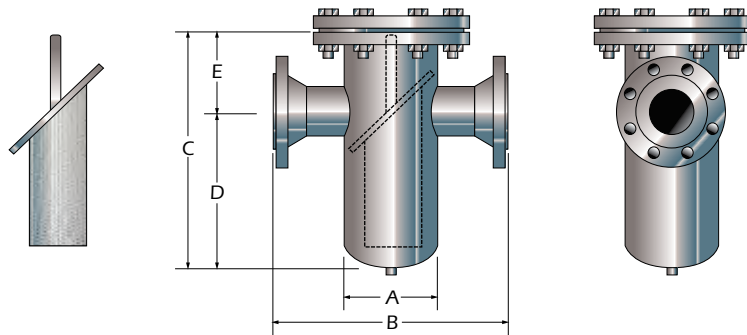
BELOW: Model BS Industrial Strainer with optional legs



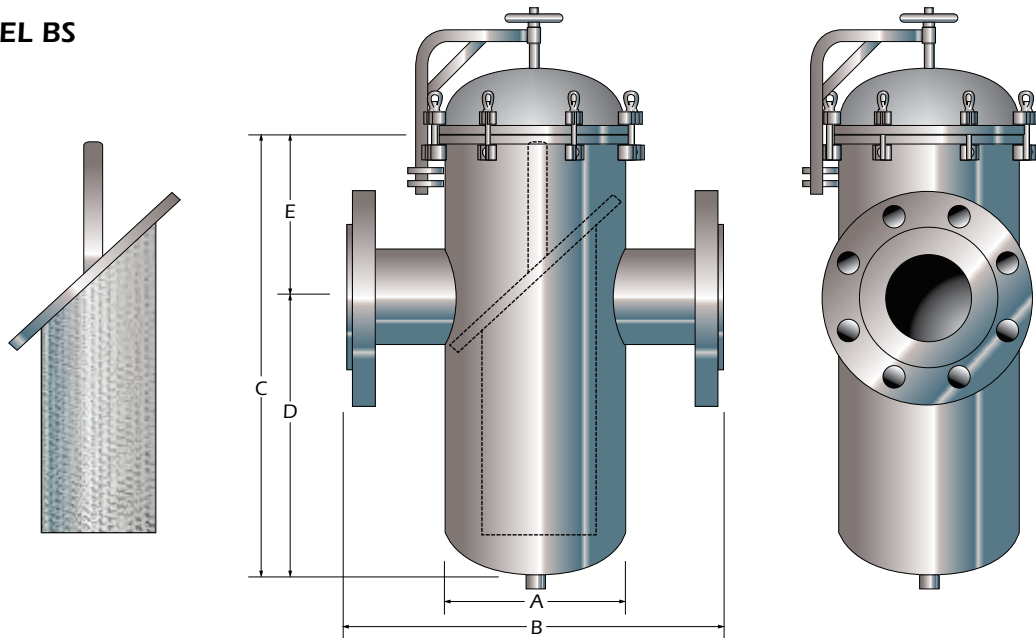
INDEX

F A B R I C A T E D B A S K E T S T R A I N E R S

MODEL RBS



MODEL BS



Model*	Line Size (Max.)	Dimensions (Inches)					Drain	Basket Surface Area (Sq. In.)	Basket Open Area (Sq. In.)	Open Area Ratio*	Volume Gallon
		A	B	C	D	E					
4	2	4 1/2	17	16	9	7	1	44	17.6	524%	0.20
6	3	6 5/8	20	20	11	9	1	99	39.6	536%	0.60
8	4	8 5/8	23	24	14	10	1 1/2	207	82.8	650%	1.25
10	6	10 3/4	26	29	17	12	1 1/2	330	132	457%	3.00
12	8	12 3/4	30	35	21	14	1 1/2	509	204	408%	4.50
14	10	16	34	42	25	17	1 1/2	792	317	402%	8.50
16	10	18	37	46	28	18	2	1034	414	366%	13.00
18	12	18	37	53	33	20	2	1232	493	358%	15.00
22	14	22	37	54	35	20	2	1528	611	400%	19.00
24	16	24	44	60	36	24	2	1885	754	413%	32.00
30	18	30	45	65	39	26	2	2073	829	355%	70.00
36	20	36	48	71	45	26	2	2512	1005	345%	110.0
42	24	42	56	95	64	31	2	4310	1724	406%	220.0
48	24	48	62	97	66	31	2	6781	2712	600%	260.0

* Based on Standard Basket perforated 1/8" diameter holes on 3/16" centers.

** Davit included on models 10-48.

Dimensions are reference only and should not be used for hard plumbing. Consult factory for certified drawings.

