

ENGINEERING STANDARDS

Rosedale Products, Inc.
3730 West Liberty Road
Ann Arbor, MI 48103

IOM
N:\IOM\UPDATED IOMS\7_4
Model 8\7_4_13 Model 8 150
Sanitary.wpd
n:iom\



Issue Date: February 20, 2001
Revision: A
Revision Date: 30May2003

Specification No.
7.4.13
PAGE: 1 of 8

INSTALLATION, OPERATION, & MAINTENANCE MANUAL

INSTALLATION, OPERATION AND MAINTENANCE MANUAL

ROSEDALE PRODUCTS, INC.



Sanitary Model 8
150 PSIG RATED FILTER UNIT

ENGINEERING STANDARDS

Rosedale Products, Inc.
3730 West Liberty Road
Ann Arbor, MI 48103

IOM
N:\IOM\UPDATED IOMS\7_4
Model 8\7_4_13 Model 8 150
Sanitary.wpd
n:iom\



Issue Date: February 20, 2001
Revision: A
Revision Date: 30May2003

Specification No.
7.4.13
PAGE: 2 of 8

INSTALLATION, OPERATION, & MAINTENANCE MANUAL

TABLE OF CONTENTS

SECTION I	INSTALLATION	1
SECTION II	OPERATION	2
SECTION III	REPLACEMENT PARTS	3

ENGINEERING STANDARDS

Rosedale Products, Inc.
3730 West Liberty Road
Ann Arbor, MI 48103

IOM
N:\IOM\UPDATED IOMS\7_4
Model 8\7_4_13 Model 8 150
Sanitary.wpd
n:iom\



Issue Date: February 20, 2001
Revision: A
Revision Date: 30May2003

Specification No.
7.4.13
PAGE: 3 of 8

INSTALLATION, OPERATION, & MAINTENANCE MANUAL

INSTALLATION

Congratulations! You are now the owner of a Rosedale Products Model 8 sanitary filter unit. Our factory has taken great pains to package your unit so it will arrive safely at its destination.

1. Please remove all shipping and crating materials carefully. Be careful not to damage any of the projecting connections.
2. Position the filter into its proper location. Secure the legs to floor or platform.
3. Proceed with installation.
 - A. Connect inlet service line to inlet flange of filter vessel (see fig. 1).
 - B. Connect outlet service line to outlet flange of filter vessel (see fig. 1).
 - C. Remove cover - (to allow for filter basket and bag installation.)
 - D. Insert flange adapter into vessel. See fig. 1 for proper orientation of adapter. Adapter should seat securely in swaged portion of housing body shell.
 - E. Insert filter basket into vessel. Flange of filter basket should rest on lip of seal/flange adapter. (See fig. 1)
 - F. Insert filter bag into filter basket making sure filter bag ring is firmly seated inside of seal/flange adapter.
 - G. Replace cover and securely tighten the closure bolts or clamp to ensure a leak proof seal.
 - F. Ensure all connections are securely tightened. The unit is now ready for start-up.

OPERATION

FILTER SYSTEM START UP-PROCEDURE

1. Slowly open the inlet service line valve approximately 25% of normal operation flow.
(Open slowly as not to displace filter bag inside of housing).
2. After filter unit is pressurized, slowly open outlet service line valve until completely open.
3. Adjust inlet service line valve until desired flow rate is reached.

ENGINEERING STANDARDS

Rosedale Products, Inc.
3730 West Liberty Road
Ann Arbor, MI 48103

IOM
N:\IOM\UPDATED IOMS\7_4
Model 8\7_4_13 Model 8 150
Sanitary.wpd
n:iom\



Issue Date: February 20, 2001
Revision: A
Revision Date: 30May2003

Specification No.
7.4.13
PAGE: 4 of 8

INSTALLATION, OPERATION, & MAINTENANCE MANUAL

4. Observe the differential pressure and record the reading for future reference.

FILTER SYSTEM OPERATION

The filter requires a minimum amount of attention after the initial installation. Once the desired service flow has been established, the filter will operate efficiently until dirty. However, under no circumstances should more than 25 PSI differential pressure through the filter be obtained.

Operating the filter unit with high differential may cause filter bags to rupture or cause damage to filter system and downstream equipment.

To prevent excessive pressure drop through the filter unit, regular inspection of the filter media is required. Monitoring of differential pressure through the housing can be utilized as a means of determining whether or not the filter media needs cleaning or replacement.

FILTER SHUT DOWN AND FILTER MEDIA CLEANING/REPLACEMENT

1. Close the valve in the inlet service line to stop flow into the vessel.
2. Relieve the pressure from the filter unit.
3. Allow the vessel to drain through the outlet line.
4. Remove cover from housing.
5. Remove filter basket and filter bag. Clean filter basket thoroughly. Discard filter bag. (Cleaning and reusing the filter bag is not recommended.)
6. Remove debris and sludge from inside of inlet portion of vessel to avoid interference with cover seal or flow of fluid being filtered.
7. Ensure the flange adapter is seated firmly in swaged portion of housing body. (See installation procedure for assistance.)
8. Install a clean filter basket and filter bag. (See installation procedure for assistance.)
8. Inspect cover gasket for cuts or other signs of failure and make sure it is properly seated.
9. Move cover back into position and attach the clamp top cover or the three bolt cover. With the three bolt cover alternately tighten the bolts evenly to ensure a leak proof seal between cover and housing body.

Your unit is now ready for operation. Refer to filter system start-up procedure.

ENGINEERING STANDARDS

Rosedale Products, Inc.
3730 West Liberty Road
Ann Arbor, MI 48103

IOM
N:\IOM\UPDATED IOMS\7_4
Model 8\7_4_13 Model 8 150
Sanitary.wpd
n:iom\



Issue Date: February 20, 2001
Revision: A
Revision Date: 30May2003

Specification No.
7.4.13
PAGE: 5 of 8

INSTALLATION, OPERATION, & MAINTENANCE MANUAL

REPLACEMENT PARTS LIST

Other than the filter basket and filter bag your filter has few parts that will require periodic replacement. For your convenience Rosedale is supplying you with the following replacement information.

COVER HARDWARE

CLAMP TOP STYLE

Item	Part Number
Cover Clamps	8SANCC
Eye Nut	8ENNI
Clevis Pin	8CPNI

THREE BOLT COVER STYLE

Item	Part Number
Rod End	8RENI
S.S. Three Bolt Covers	61350-S

TRIPOD LEG ASSEMBLIES

304 Stainless Steel Part Number: 8T22SS

O-RINGS AND GASKET PART NUMBERS

MATERIAL	COVER SEAL		STRAINER SEAL (O-Ring)
	Three Bolt Cover (O-Ring)	Clamp Top (Gasket)	
Buna	8150CG-B	SAN8CG-B	8BG-B
Silicone	N/A	SAN8CG-S	8BG-S
Viton	8150CG-V	SAN8CG-V	8BG-V
EPDM (Food Grade)	8150CG-FG	N/A	N/A
TEV	8150CG-TEV	N/A	8BG-TEV

ENGINEERING STANDARDS

Rosedale Products, Inc.
3730 West Liberty Road
Ann Arbor, MI 48103

IOM
N:\IOM\UPDATED IOMS\7_4
Model 8\7_4_13 Model 8 150
Sanitary.wpd
n:iom\



Issue Date: February 20, 2001
Revision: A
Revision Date: 30May2003

Specification No.
7.4.13
PAGE: 6 of 8

INSTALLATION, OPERATION, & MAINTENANCE MANUAL

BASKETS (316 Stainless Steel)

STYLE	DESCRIPTION	PART NUMBER
P	Perforated strainer basket. * Insert perforation dia. symbol: 1/16", 3/32", 9/64", 3/16", 1/4"	SAN815-P* SAN830-P*
M	Mesh lined perforated strainer basket. * Insert mesh size symbol: 200, 150, 100, 80, 60, 50, 40, 30, 20	SAN815-M* SAN830-M*
B	Filter bag basket with standard 9/64" dia. perforations.	SAN815-B SAN830-B
BM	Mesh lined filter bag basket. * Insert mesh size symbol: 200, 150, 100, 80, 60, 50, 40, 30, 20	SAN815-BM* SAN830-BM*

ENGINEERING STANDARDS

Rosedale Products, Inc.
3730 West Liberty Road
Ann Arbor, MI 48103

IOM
N:\IOM\UPDATED IOMS\7_4
Model 8\7_4_13 Model 8 150
Sanitary.wpd
n:iom\



Issue Date: February 20, 2001
Revision: A
Revision Date: 30May2003

Specification No.
7.4.13
PAGE: 7 of 8

INSTALLATION, OPERATION, & MAINTENANCE MANUAL

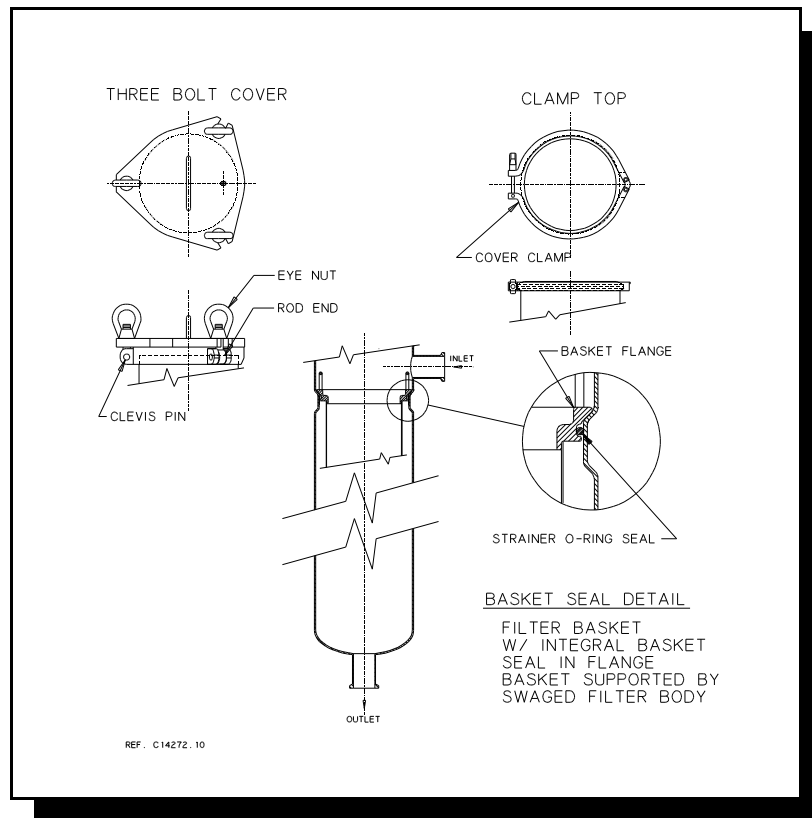


Figure 1. GENERAL LAYOUT

ENGINEERING STANDARDS

Rosedale Products, Inc.
3730 West Liberty Road
Ann Arbor, MI 48103

IOM
N:\IOM\UPDATED IOMS\7_4
Model 8\7_4_13 Model 8 150
Sanitary.wpd
n:iom\



Issue Date: February 20, 2001
Revision: A
Revision Date: 30May2003

Specification No.
7.4.13
PAGE: 8 of 8

INSTALLATION, OPERATION, & MAINTENANCE MANUAL

Important Notice

Warranty: In the event any Rosedale Products, Inc. filtration product is found to be defective in material, workmanship, or not in conformance with any express warranty for a specific purpose, Rosedale's only obligation and your exclusive remedy, shall be to repair, replace or refund the purchase price of such parts or products upon timely notification thereof and substantiation that the product has been stored, maintained and used in accordance with Rosedale's written instructions.

EXCLUSIONS TO WARRANTY: THIS WARRANTY IS EXCLUSIVE AND IS IN LIEU OF ANY IMPLIED WARRANTY OF MERCHANTABILITY, FITNESS FOR A PARTICULAR PURPOSE OR OTHER WARRANTY OF QUALITY, EXCEPT OF TITLE AND AGAINST PATENT INFRINGEMENT.

LIMITATION OF LIABILITY: Except as provided above, Rosedale shall not be liable or responsible for any loss or damage, whether direct, indirect, incidental, special or consequential, arising out of sale, use or misuse of Rosedale filtration products, or the user's inability to use such products.

THE REMEDIES SET FORTH HEREIN ARE EXCLUSIVE.

Rosedale Products, Inc.
3730 West Liberty Road
Ann Arbor, MI 48103 USA
734-665-8201
800-821-5373
Fax. 734-665-2214
Email: filters@rosedaleproducts.com
<http://www.rosedaleproducts.com>