

ENGINEERING STANDARDS

Rosedale Products, Inc.
3730 West Liberty Road
Ann Arbor, MI 48103

IOM
7_4_25 Model PFC 8
Cart.wpd
n:iom\



Issue Date: 20APR99
Revision: A
Revision Date: 30May2003

Specification No.
7.4.25
PAGE: 1 of 7

INSTALLATION, OPERATION, & MAINTENANCE MANUAL

INSTALLATION, OPERATION AND MAINTENANCE MANUAL

ROSEDALE PRODUCTS, INC.



MODEL 8-125 FILTER CART

125 PSIG RATED FILTER UNIT ON CART WITH 120 VAC CENTRIFUGAL PUMP

Table of Contents

I.	Installation	2
II.	Operation	3
III.	Spare Parts List	5
IV.	Spare Parts Diagram	6

ENGINEERING STANDARDS

Rosedale Products, Inc.
3730 West Liberty Road
Ann Arbor, MI 48103

IOM
7_4_25 Model PFC 8
Cart.wpd
n:\iom\



Issue Date: 20APR99
Revision: A
Revision Date: 30May2003

Specification No.
7.4.25
PAGE: 2 of 7

INSTALLATION, OPERATION, & MAINTENANCE MANUAL

I. Installation

Please remove all shipping and crating materials carefully. Be sure to remove the plugs from the inlet and outlet openings. Dispose of all crating materials safely.

The **MODEL 8-125** Filter with portable cart has 1 inch male cam type quick release connectors on inlet and outlet for easy connection and disconnection of the filter lines.

Inlet service line should be connected to the inlet quick release coupling, located on the inlet port of the filter pump.

Outlet service line should be connected to the outlet quick release coupling, located near the middle of the unit (below the basket level).

The **MODEL 8-125** Filter with portable cart has two pressure gauges installed one in each of the 1/4" NPT ports on the shell of the **MODEL 8-125** Filter unit. These ports can remain used for pressure gauges or for special fittings as your application requires.

Some installations require electrical grounding of all equipment, be sure to provide adequate grounding where necessary.

After completing installation be sure to double check connections for integrity. Your **MODEL 8-125** Filter unit has been factory pressure tested leak free, therefore, any seepage problems usually occur from improper installation connections.

You are now ready to install the filter basket and bag. Remove cover by loosening the T-bolt clamp sufficiently to allow removal of the clamp assembly.

Place the basket into the filter housing, make sure the basket flange is firmly seated onto the step on the inside of the housing.

Insert bag into the bag basket making sure filter bag ring is firmly seated against the top of the basket flange. For best results, be sure filter bag is installed fully extended to the bottom of the basket.

Before replacing cover and clamp assembly, inspect cover seal gasket (replacing as necessary). Replace cover and tighten the T-bolt clamp assembly to ensure a leak proof seal between the cover and housing body.

Your Rosedale **MODEL 8-125** is now ready for operation!

ENGINEERING STANDARDS

Rosedale Products, Inc.
3730 West Liberty Road
Ann Arbor, MI 48103

IOM
7_4_25 Model PFC 8
Cart.wpd
n:\iom\



Issue Date: 20APR99
Revision: A
Revision Date: 30May2003

Specification No.
7.4.25
PAGE: 3 of 7

INSTALLATION, OPERATION, & MAINTENANCE MANUAL

II. Operation

Filter System Start-Up Procedure:

Prior to turning on the flow to the inlet service, please make the following checks:

1. Check inside filter unit to be sure basket and filter bag (if applicable) are in housing and do not require cleaning or replacement. If necessary install a clean filter basket and bag (if applicable).
2. Check that filter unit cover is securely fastened to housing.
3. Check that Drain Outlet valve is turned off.
4. Be sure inlet hose to male cam style connector on inlet of pump is secure, and outlet hose to male cam style connector outlet of **MODEL 8-125** filter housing is secure.
5. The **MODEL 8-125** Filter with portable cart uses a Teel centrifugal self priming pump. It may be necessary to flood the suction side of filter assembly to prime the pump.
6. You are now ready to turn on the pump and to open the flow valve to the inlet service line (valve above the pump on the onlet) . Slowly open the inlet service line approximately 25% of normal operational flow (open slowly as not to displace filter bag inside the housing). After filter unit is pressurized and vented, slowly open outlet service line unit valve until completely open. Complete opening of inlet service line until desired flow rate is reached.

Once the desired service flow has been established, the filter will operate efficiently until dirty. However, under no circumstances should more than *15 PSI Differential Pressure* through the filter be obtained. Operating the filter unit with a high differential may cause filter bags to rupture and/or cause damage to filter system and downstream equipment.

To prevent excessive drop through the filter unit, regular inspection of the filter media is required. Monitoring of differential pressure through the housing can be utilized as a means of determining whether or not the filter media needs cleaning or replacement.

When it becomes necessary to clean or replace filter media, follow the procedure outlined below:

ENGINEERING STANDARDS

Rosedale Products, Inc.
3730 West Liberty Road
Ann Arbor, MI 48103

IOM
7_4_25 Model PFC 8
Cart.wpd
n:\iom\

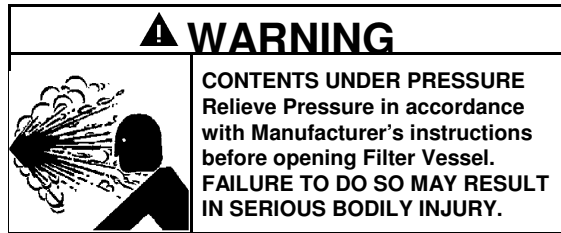


Issue Date: 20APR99
Revision: A
Revision Date: 30May2003

Specification No.
7.4.25
PAGE: 4 of 7

INSTALLATION, OPERATION, & MAINTENANCE MANUAL

1. First turn off pump and close the flow from the inlet service line.
2. Close the flow to the outlet service line. (In some applications closing flow to outlet is not required.)
3. Relieve the pressure from the filter unit.



4. Drain housing sufficiently to access filter basket.
5. Remove cover by loosening the T-bolt clamp sufficiently to allow removal of the clamp assembly.
6. Remove filter basket and clean thoroughly, remove the filter bag (if applicable) and throw away. (Cleaning and reusing the filter bag is not recommended.)
7. Remove debris and sludge from inside the inlet portion of housing to avoid interference with flow of fluid being filtered.
8. Install clean filter basket and filter bag (if applicable). Place the basket into the filter housing, make sure the basket flange is firmly seated onto the step on the inside of the adapter ring, inside the filter housing. Insert bag into the bag basket making sure filter bag ring is firmly seated against the top of the basket flange. For best results, be sure filter bag is installed fully extended to the bottom of the basket.
9. Inspect cover gasket for cuts or other signs of failure and make sure it is properly seated.

Your Rosedale **MODEL 8-125** Filter unit is now ready for operation. Refer to filter system start-up procedure.

ENGINEERING STANDARDS

Rosedale Products, Inc.
3730 West Liberty Road
Ann Arbor, MI 48103

IOM
7_4_25 Model PFC 8
Cart.wpd
n:\iom\



Issue Date: 20APR99
Revision: A
Revision Date: 30May2003

Specification No.
7.4.25
PAGE: 5 of 7

INSTALLATION, OPERATION, & MAINTENANCE MANUAL

III. Spare Parts List

Your Rosedale **MODEL 8-125** Filter unit will give you many years of reliable service provided periodic inspections are made of various components and replacement of worn parts are made promptly. The following is meant to be a recommended spare parts list, these parts are illustrated on the following page.

SPARE PARTS LIST			
Balloon	Description	Part Number	Time-Frame
1	Cover Seal	8LCOCG-*	as needed
2	Clamp Assembly	8LCO-C-Clamp	as needed
3	Cover	8C-LCO-*	as needed
4	T-Bolt	8T-Bolt	as needed
5	T-Handle	8T-Handle	as needed
6	Filter Bag	(See Order)	as needed
7	Filter Basket	(See Order)	as needed
8	Teel Centrifugal Pump	15-2635	as needed

* Select Material Designation:

C=Carbon Steel
S=304 Stainless Steel

B=Buna N
E=Ethylene Propylene
V=Viton

ENGINEERING STANDARDS

Rosedale Products, Inc.
3730 West Liberty Road
Ann Arbor, MI 48103

IOM
7_4_25 Model PFC 8
Cart.wpd
n:\iom\

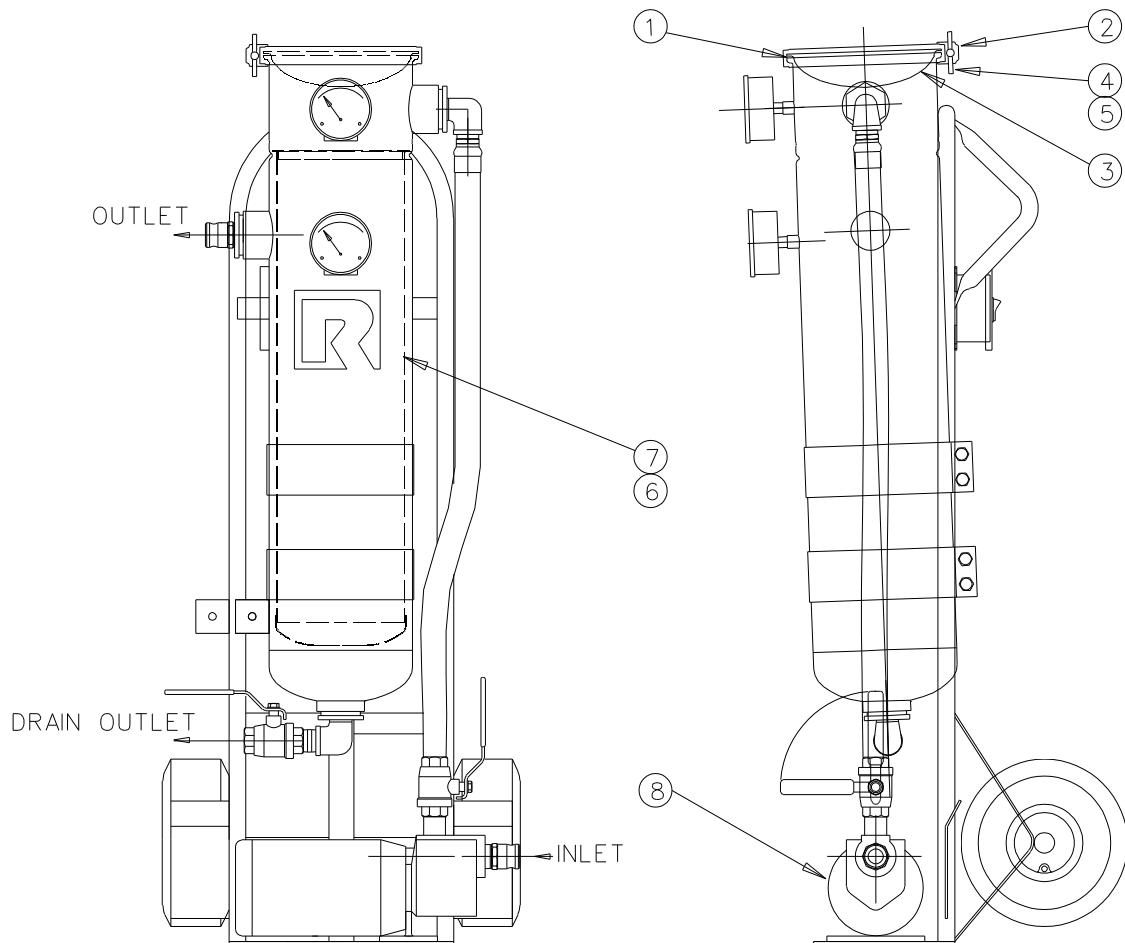


Issue Date: 20APR99
Revision: A
Revision Date: 30May2003

Specification No.
7.4.25
PAGE: 6 of 7

INSTALLATION, OPERATION, & MAINTENANCE MANUAL

IV. Spare Parts Diagram



ENGINEERING STANDARDS

Rosedale Products, Inc.
3730 West Liberty Road
Ann Arbor, MI 48103

IOM
7_4_25 Model PFC 8
Cart.wpd
n:iom\



Issue Date: 20APR99
Revision: A
Revision Date: 30May2003

Specification No.
7.4.25
PAGE: 7 of 7

INSTALLATION, OPERATION, & MAINTENANCE MANUAL

Important Notice

Warranty: In the event any Rosedale Products, Inc. filtration product is found to be defective in material, workmanship, or not in conformance with any express warranty for a specific purpose, Rosedale's only obligation and your exclusive remedy, shall be to repair, replace or refund the purchase price of such parts or products upon timely notification thereof and substantiation that the product has been stored, maintained and used in accordance with Rosedale's written instructions.

EXCLUSIONS TO WARRANTY: THIS WARRANTY IS EXCLUSIVE AND IS IN LIEU OF ANY IMPLIED WARRANTY OF MERCHANTABILITY, FITNESS FOR A PARTICULAR PURPOSE OR OTHER WARRANTY OF QUALITY, EXCEPT OF TITLE AND AGAINST PATENT INFRINGEMENT.

LIMITATION OF LIABILITY: Except as provided above, Rosedale shall not be liable or responsible for any loss or damage, whether direct, indirect, incidental, special or consequential, arising out of sale, use or misuse of Rosedale filtration products, or the user's inability to use such products.

THE REMEDIES SET FORTH HEREIN ARE EXCLUSIVE.

Rosedale Products, Inc.
3730 West Liberty Road
Ann Arbor, MI 48103 USA
734-665-8201
800-821-5373
Fax. 734-665-2214
<http://www.rosedaleproducts.com>