

ENGINEERING STANDARDS

Rosedale Products, Inc.
3730 West Liberty Road
Ann Arbor, MI 48103

IOM's
DPGAUGE .DOC
n:\spec\



Issue Date: 18OCT95
Revision: A
Revision Date: 04Oct2002

Specification No.
7.5.2
PAGE: 1 of 2

DIFFERENTIAL PRESSURE GAUGE INSTALLATION

Installation Instructions

1. The DP Gauge/Switch Bracket (1) will be mounted on the duplex as shown below.
2. The DP Gauge (2) will have two 90° fittings (3), one each mounted on the "HI" Side and "LO" Side ports of the DP gauge. They will be orientated 45° to the vertical as shown.
3. Mount the gauge to the DP Gauge/Switch Bracket using the bolts provided (bolts will be found on back of gauge). Use the smaller holes in the center of the bracket.
4. Attach the Short Flexible Hose (5). Note that one end is fixed and the other end is swiveled. Connect the fixed end to the *High Tee Port* (be sure to use Teflon tape or equivalent). Connect the swiveled end to the "HI" Side fitting on the DP Gauge.
5. Attach the Longer Flexible Hose (4). Note That one end is fixed and the other end is swiveled. Connect the fixed end to the *Low Tee Port* (be sure to use Teflon tape or equivalent). Connect the swiveled end to the "LO" Side fitting on the DP Gauge.

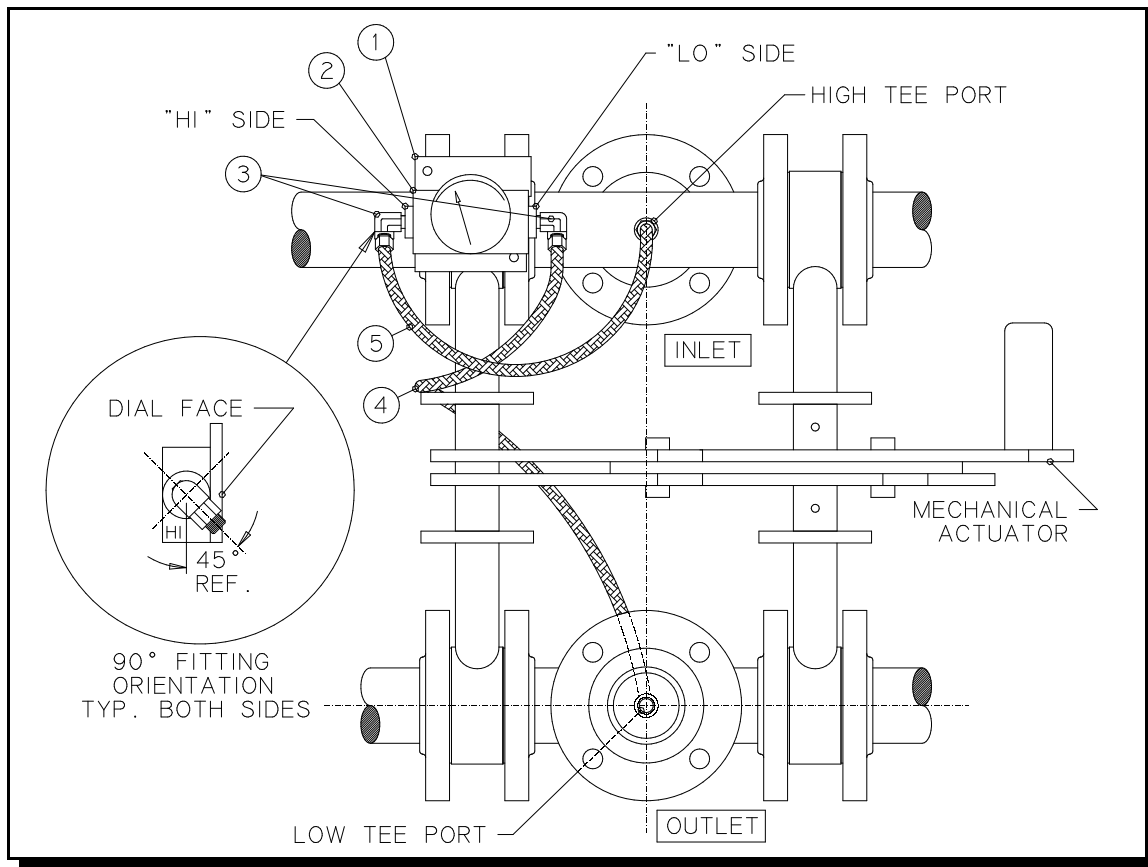


Figure 1 Typical Duplex, Front View.

ENGINEERING STANDARDS

Rosedale Products, Inc.
3730 West Liberty Road
Ann Arbor, MI 48103

IOM's
DPGAUGE .DOC
n:\spec\



Issue Date: 18OCT95
Revision: A
Revision Date: 04Oct2002

Specification No.
7.5.2
PAGE: 2 of 2

DIFFERENTIAL PRESSURE GAUGE INSTALLATION

COMPONENT PARTS LIST

BALLOON	PART NAME	QUANTITY	ITEM NUMBER
1	Gauge Bracket	1	5-5216
2	DP Gauge	1	120-0024
3	90° Fitting	2	5-7283
4	Long Flexible Hose	1	5-7289
5	Short Flexible Hose	1	5-7288